

[54] CONTROLLER FOR GAME MACHINE

[75] Inventors: Gunpei Yokoi; Kenichi Sugino, both of Kyoto-fu, Japan

[73] Assignee: Nintendo Co., Ltd., Japan

[**] Term: 14 Years

[21] Appl. No.: 30,441

[22] Filed: Oct. 31, 1994

[30] Foreign Application Priority Data

May 2, 1994 [JP] Japan 6-12834

[52] U.S. Cl. D21/48

[58] Field of Search D21/48, 13, 1; 273/433-438, 148 B, DIG. 28; D14/217, 124, 125

[56] References Cited

U.S. PATENT DOCUMENTS

D. 316,879	5/1991	Shulman et al.	D21/48
D. 317,946	7/1991	Tse	D21/48
D. 357,712	4/1995	Wu	D21/48
D. 363,092	10/1995	Hung	D21/48
5,203,563	4/1993	Loper, III	273/148 B
5,290,034	3/1994	Hineman	273/438 X

FOREIGN PATENT DOCUMENTS

6054962 3/1994 Japan 273/438

OTHER PUBLICATIONS

HongKong Electronics Cat 1985, p. 9.
Playthings, 1988, p. 50.

Primary Examiner—Prabhakar G. Deshmukh
Attorney, Agent, or Firm—Nixon & Vanderhye P.C.

[57] CLAIM

The ornamental design for a "controller for game machine", as shown and described.

DESCRIPTION

FIG. 1 is a front and right perspective view of a controller for a game machine showing a main embodiment; FIG. 2 is a rear and left perspective view thereof; FIG. 3 is a top plan view thereof; FIG. 4 is a front elevational view thereof; FIG. 5 is a rear elevational view thereof; FIG. 6 is a bottom plan view thereof; FIG. 7 is a right side view thereof; FIG. 8 is a left side view thereof; FIG. 9 is a front and right perspective view of a controller for a game machine showing a second embodiment; FIG. 10 is a rear and left perspective view thereof; FIG. 11 is a top plan view thereof; FIG. 12 is a front elevational view thereof; FIG. 13 is a rear elevational view thereof; FIG. 14 is a bottom plan view thereof; FIG. 15 is a right side view thereof; and, FIG. 16 is a left side view thereof.

1 Claim, 8 Drawing Sheets

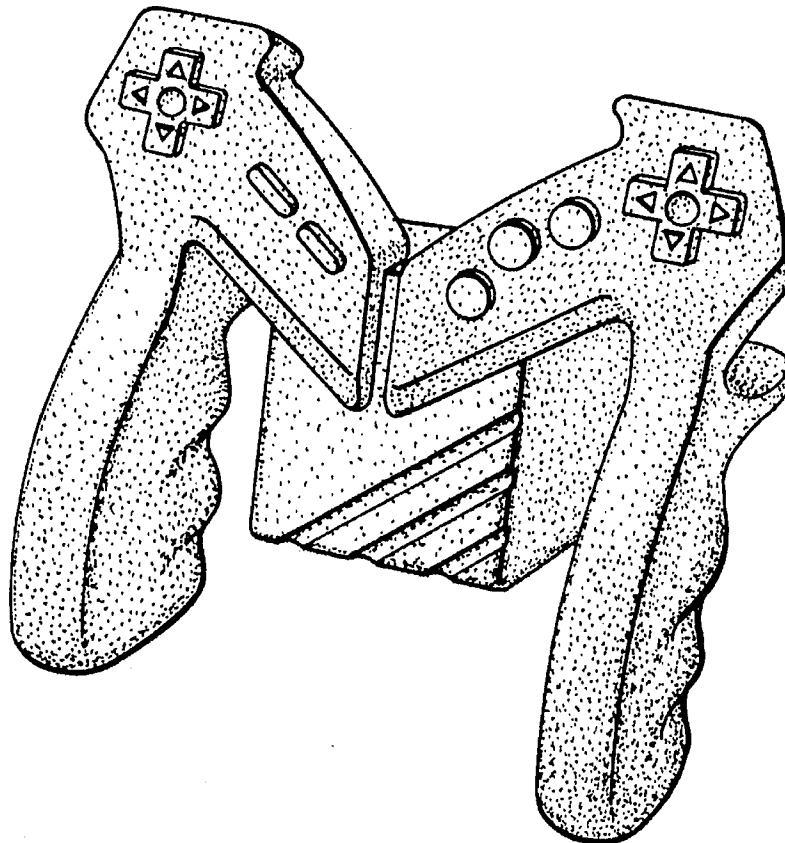


FIG 1

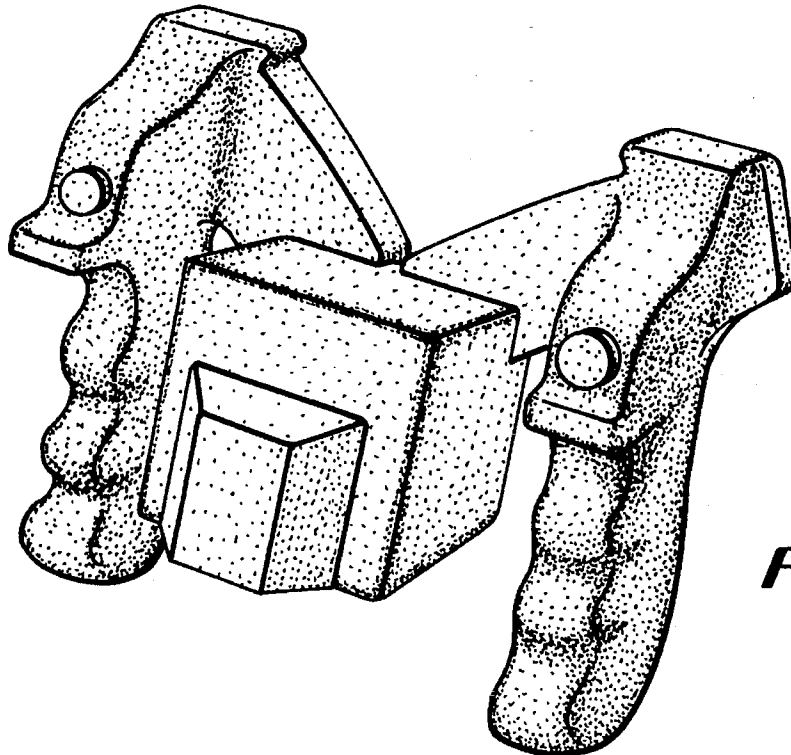
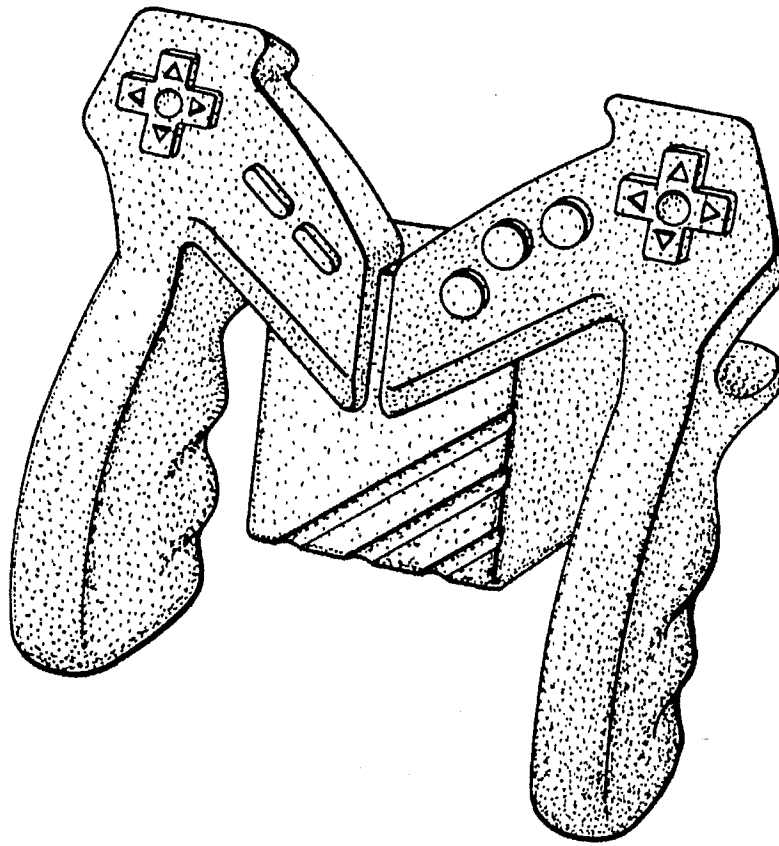


FIG 2

FIG. 3

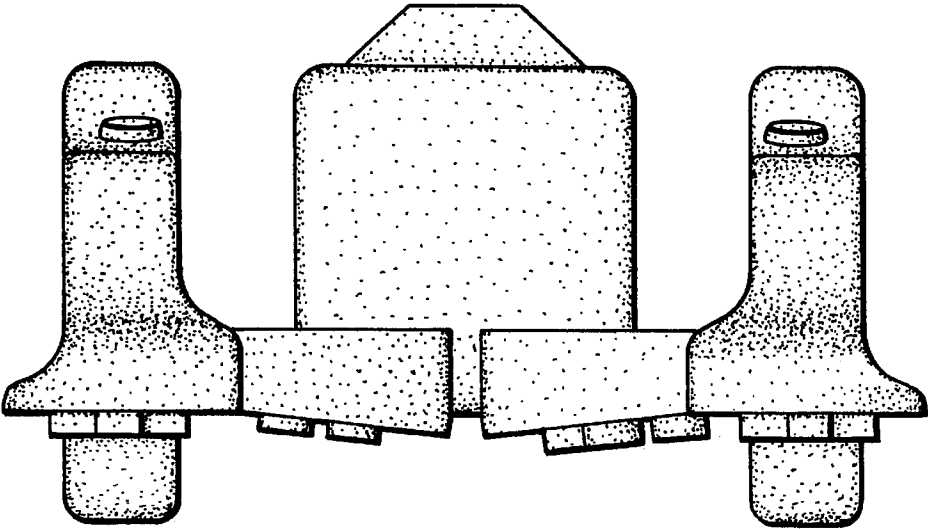


FIG. 4

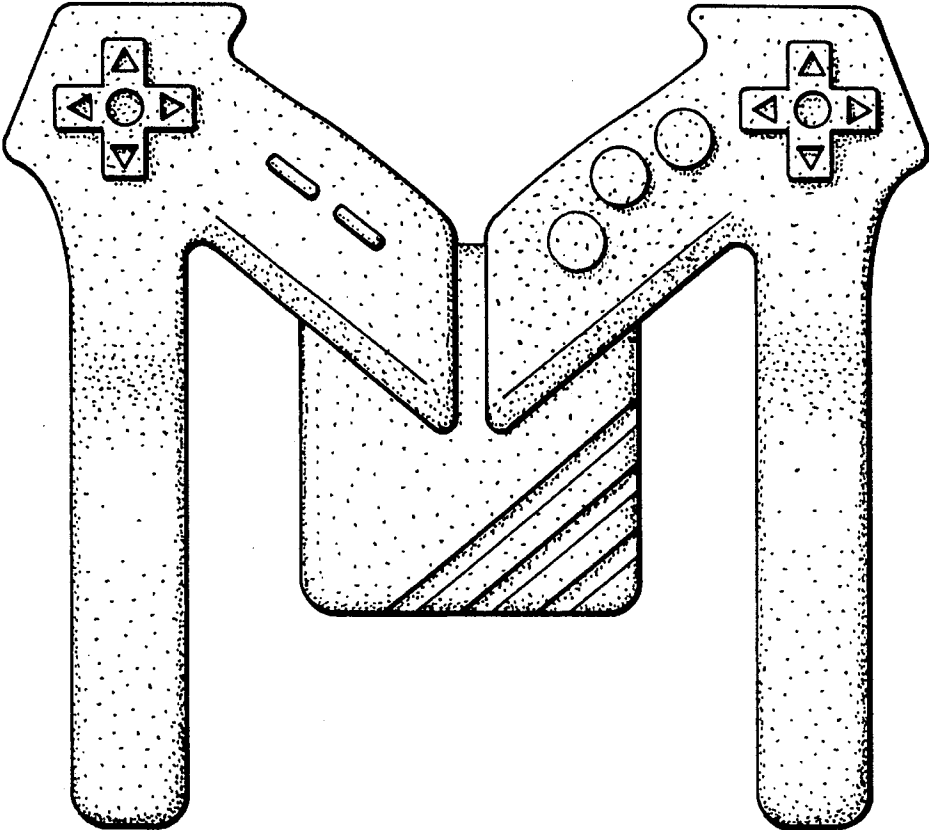


FIG. 5

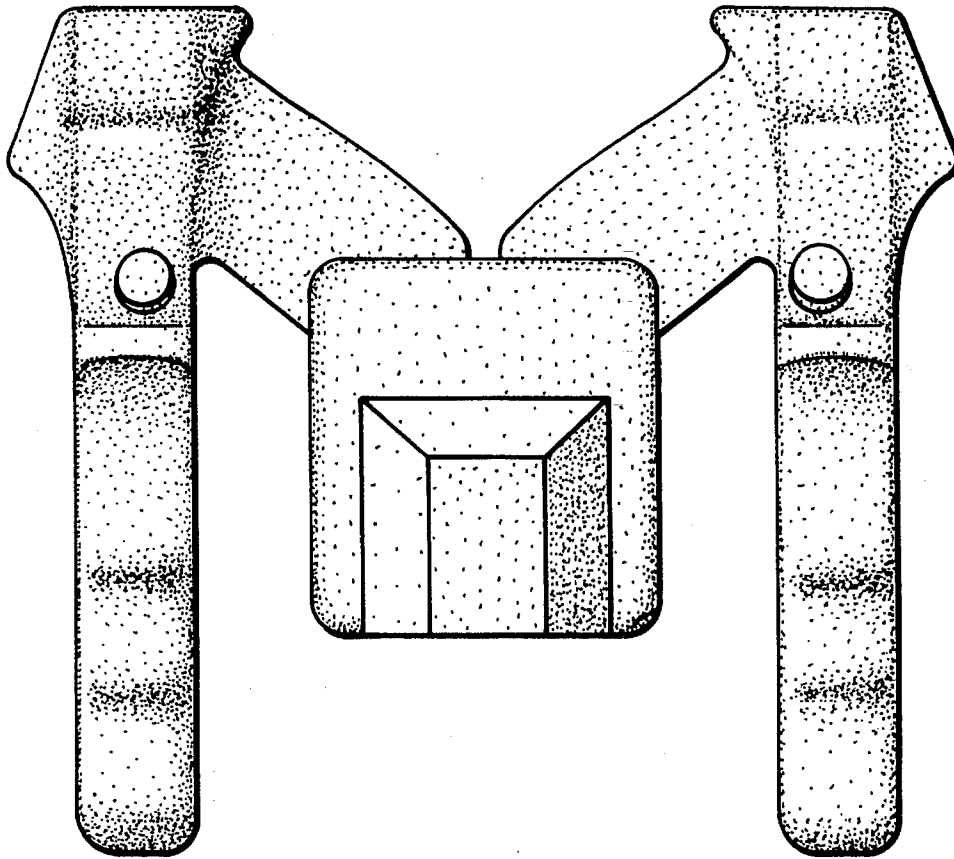
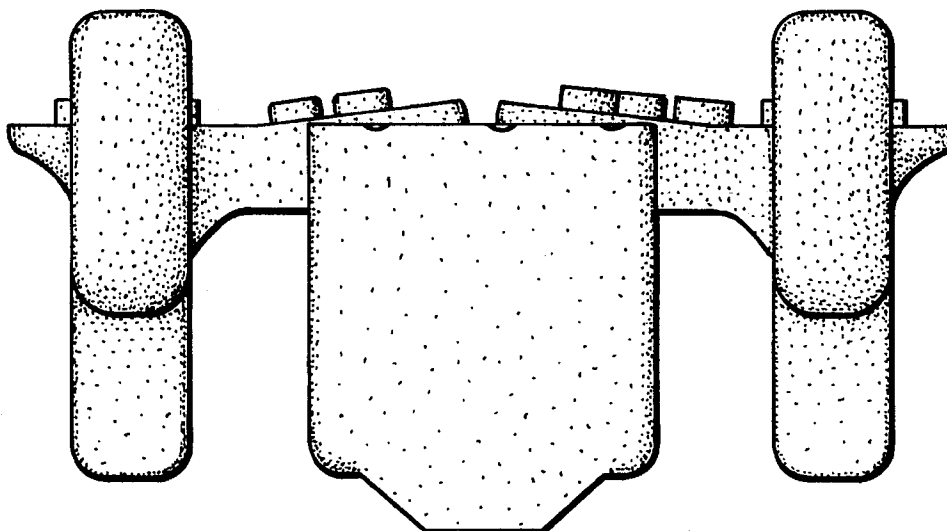


FIG. 6



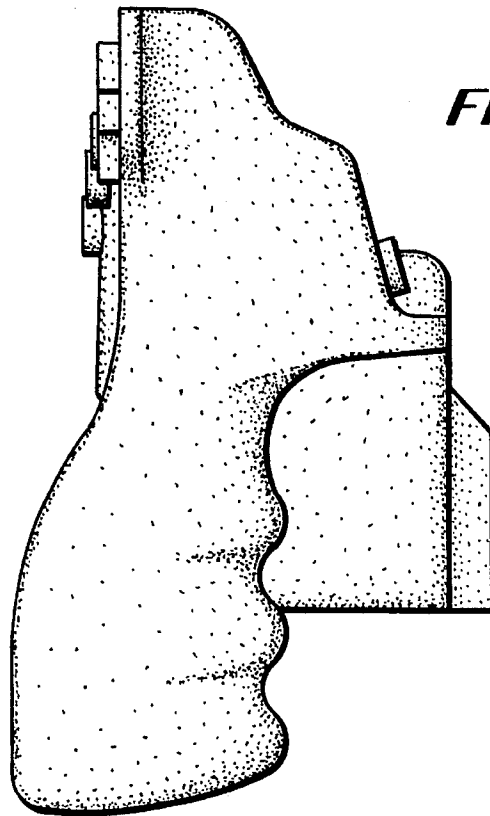


FIG. 7

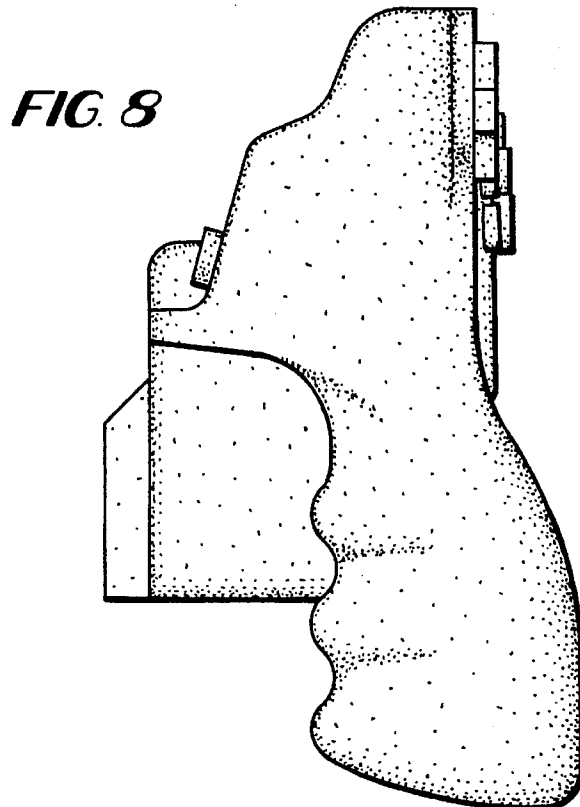


FIG. 8

FIG 9

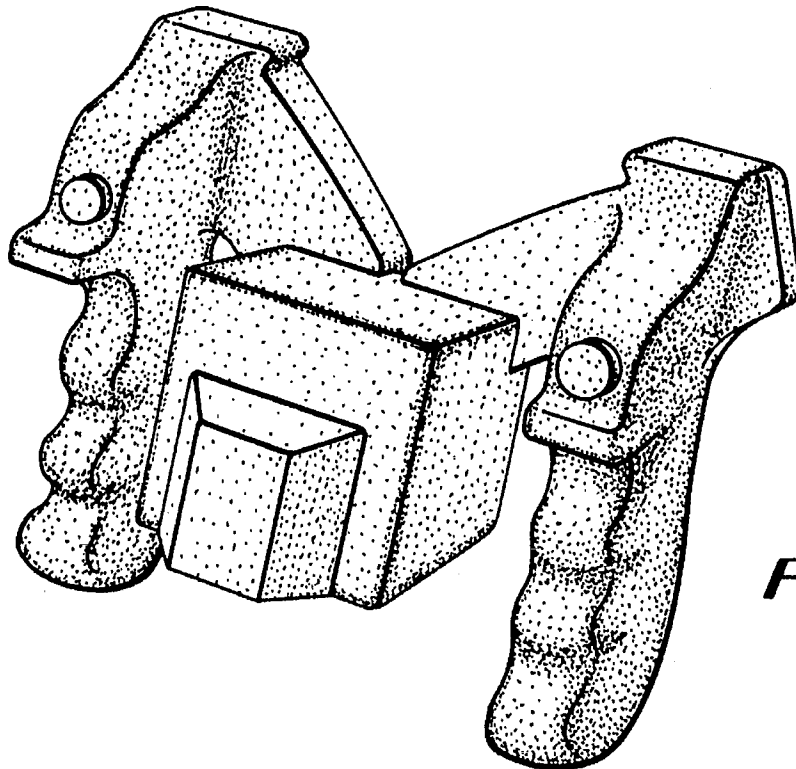
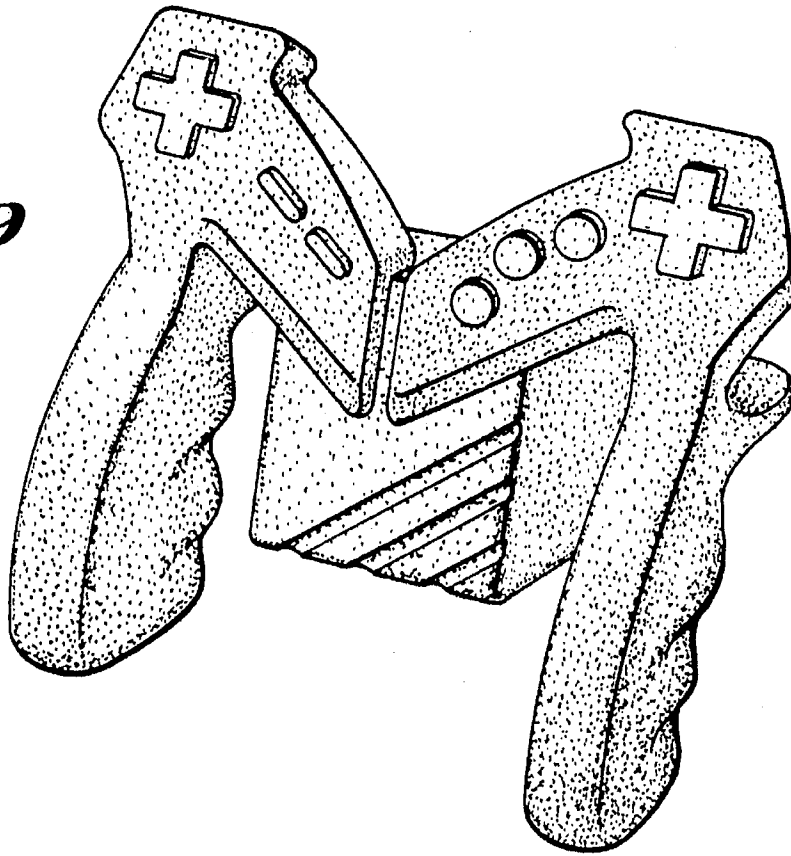


FIG. 10

FIG. 11

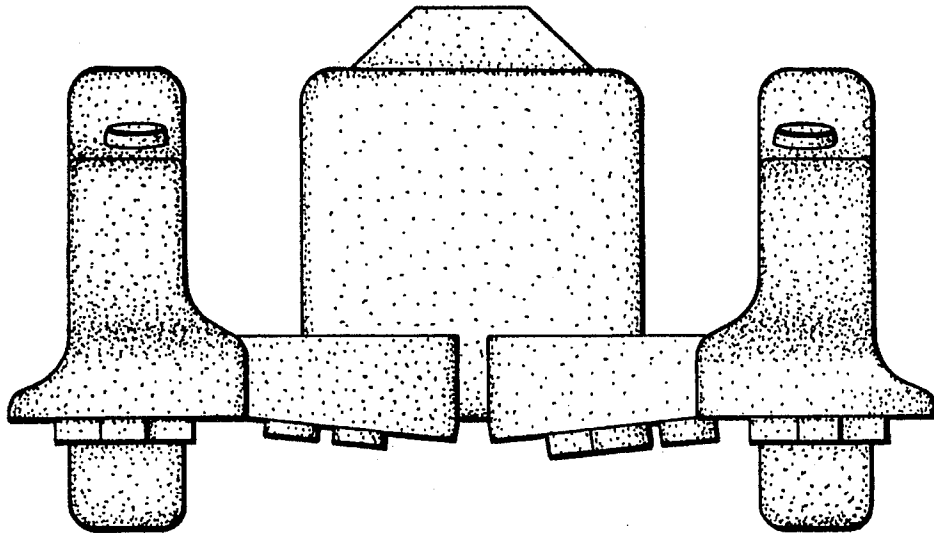


FIG. 12

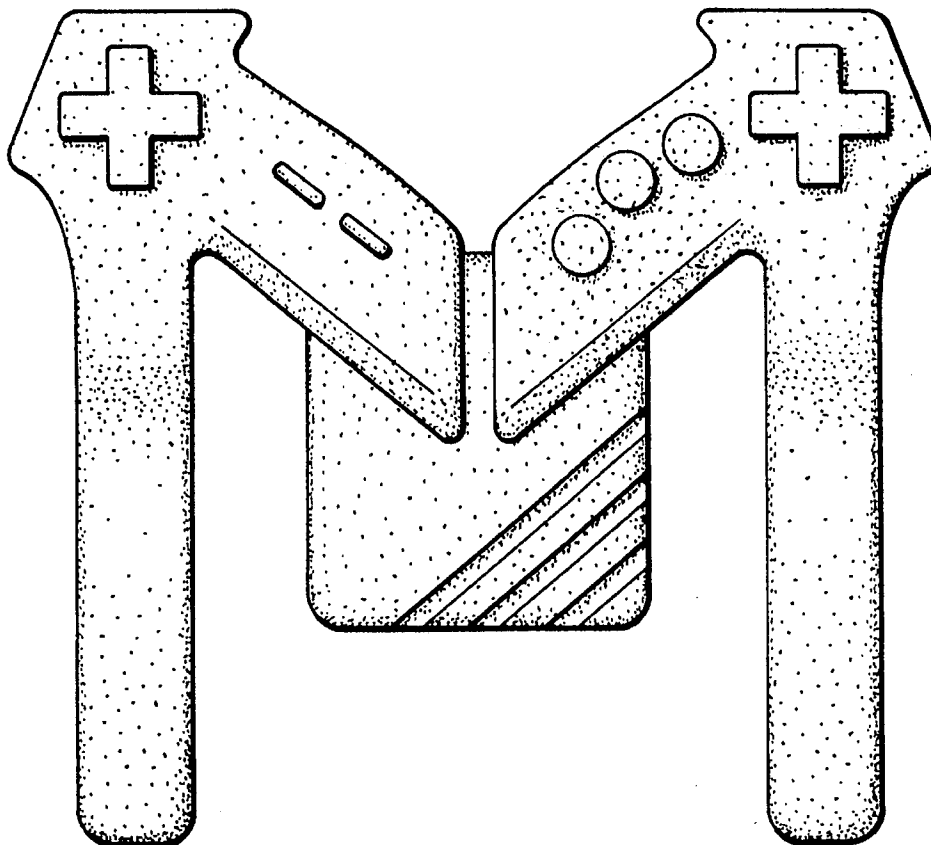


FIG. 13

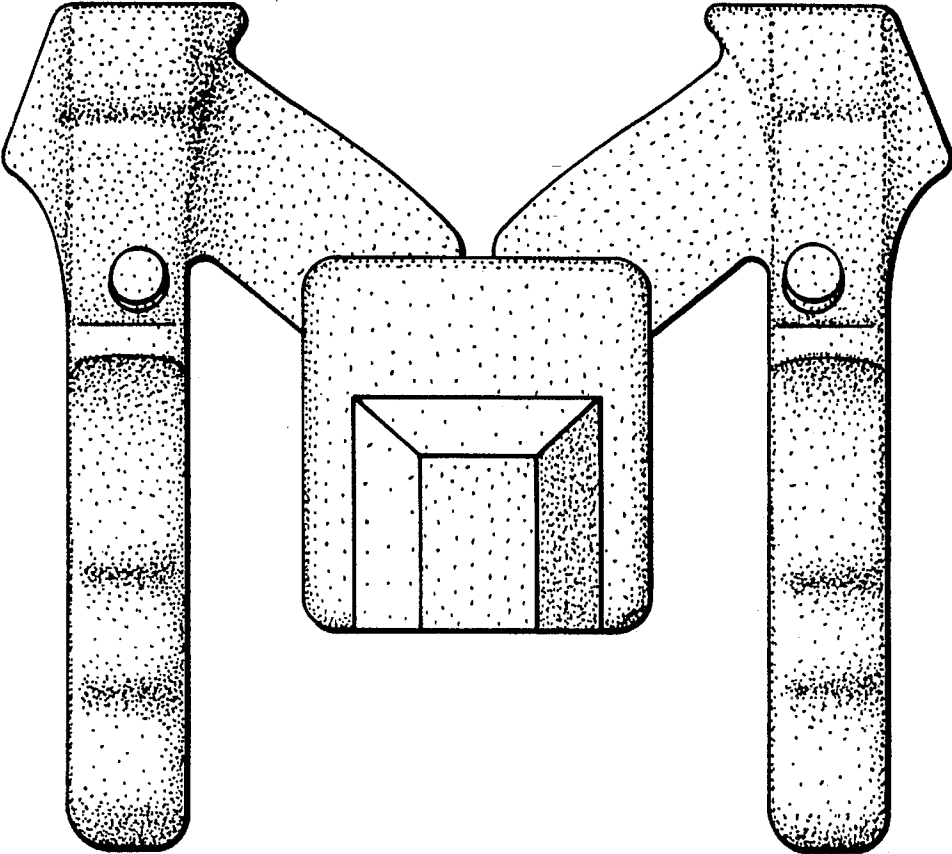
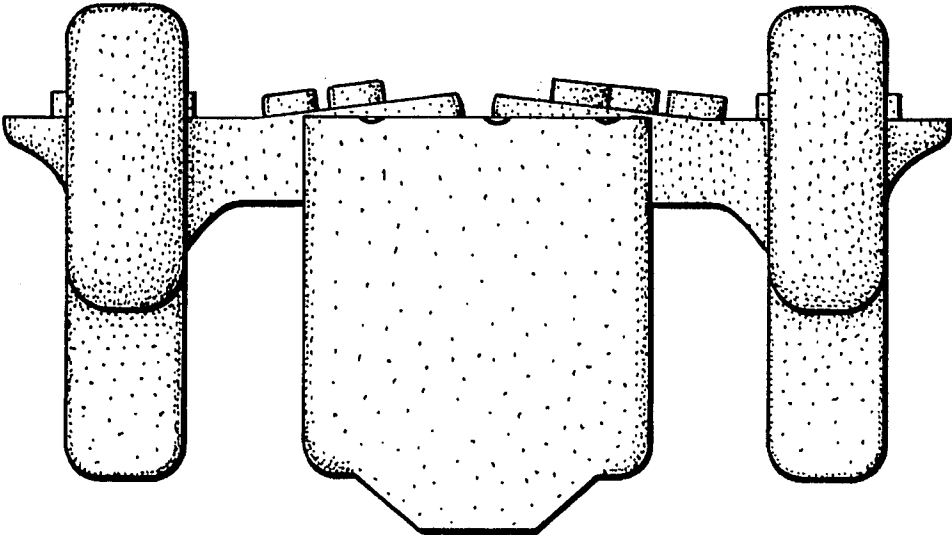


FIG. 14



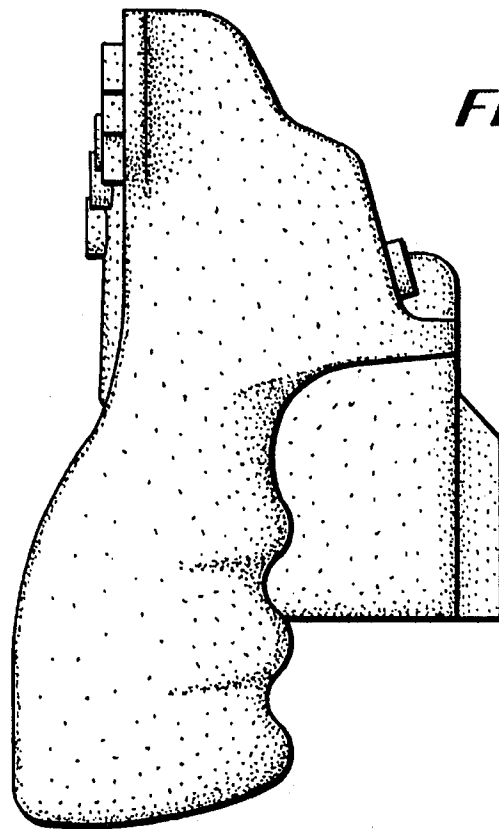


FIG. 15

FIG. 16

